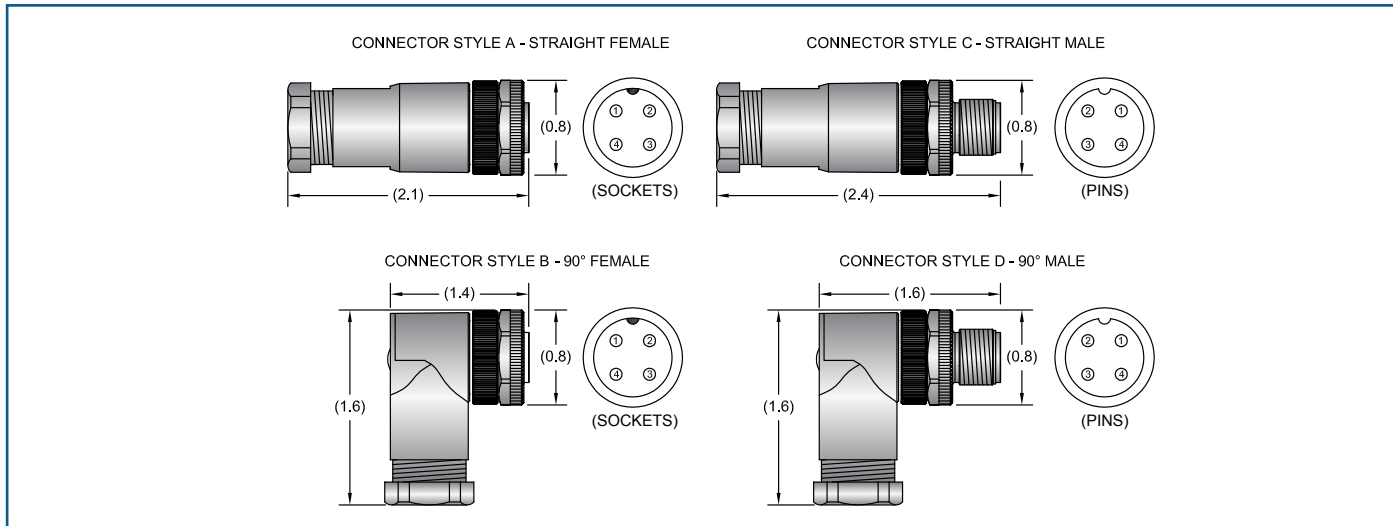
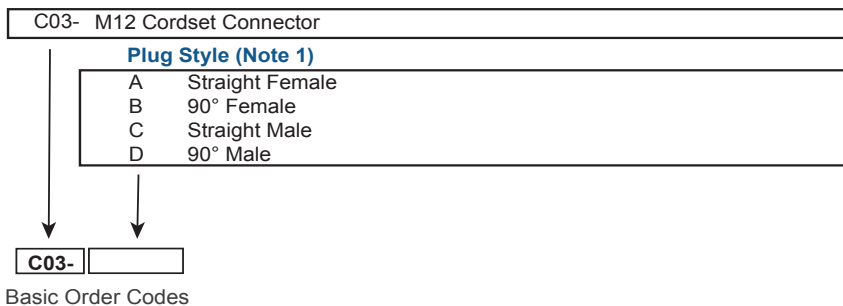


## Ordering Information



All dimensions in inches



Example Part # C03-A

<b>C03 Cordset Connectors Specification</b>	
Temperature Range:	
Connectors:	-25°C to 85°C
Fitting Material:	NYLON
Contact Material:	Gold Plated Brass
Cable Size:	4 wire, 22 AWG Conductor Max.
Cable Grip Range:	0.157" to 0.236" OD



Note 1: A Female connector is required to connect to the sensor and/or transmitter.