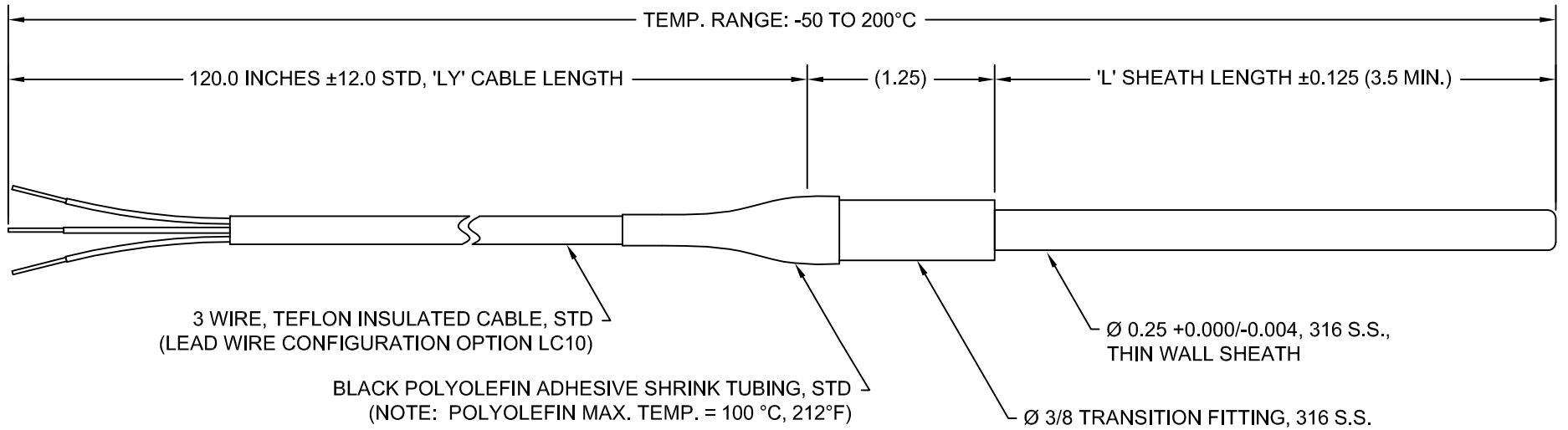




SYM	ECO NUMBER	DATE	APPD
A	ECO 5124	8-5-02	JPZ
B	ECO 5224	10-10-02	JPZ




NOTES:

1. SURFACE FINISHED TO A 32 MICROINCH FINISH OR BETTER.
2. INTERCHANGEABILITY: TOLERANCE (°C) = $\pm(0.26 + .0037*|t|)$ WHERE $|t|$ IS THE ABSOLUTE VALUE OF THE TEMPERATURE IN °C.
3. THIS SENSOR HAS BEEN DESIGNED TO PROVIDE INCREASED ACCURACY WHEN USED IN SHORT IMMERSION LENGTH THERMOWELLS SUCH AS THOSE IN SANITARY ELBOWS.

18944	PART NUMBER
	SHEATH LENGTH 'L'
	-070 7.0 INCHES
	-120 12.0 INCHES
	-L SPECIFY 'L' LENGTH IN INCHES
18944	

SEE SHEET #2 FOR OPTIONS AVAILABLE

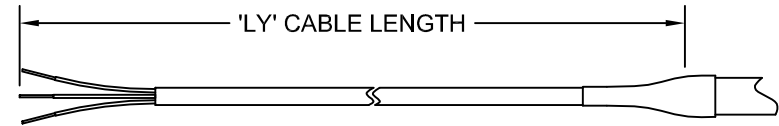
-TOLERANCES- UNLESS OTHERWISE SPECIFIED		 BURNS ENGINEERING		MOUNTING AND OUTLINE DRAWING, PLATINUM RESISTANCE THERMOMETER, 3 WIRE, 'G' STYLE W/TIN WALL TUBING 100 OHMS, .00385 TEMP. COEFFICIENT		
ALL DIMENSION IN INCHES		SCALE	N.T.S.			
FRACTIONS = $\pm 1/16$ ONE PLACE .X = $\pm .050$ TWO PLACE .XX = $\pm .010$ THREE PLACE .XXX = $\pm .005$		DFTM	AJO			8-5-02
		CHKD	JPZ			8-5-02
ALL ANGLES ARE $\pm 0^{\circ}30'$		APPD	JPZ	8-5-02	SHEET 1 OF 2	
UNLESS OTHERWISE NOTED: ALL SURFACES 125 ✓		DIMENSIONS IN INCHES REF: 18919		SIZE A		
ALL FINISHES IN MICRO INCHES				DRAWING NUMBER 18944-		
				REV B		

ORDERING OPTIONS FOR BURNS SENSOR P/N 18944-*

OTHER OPTIONS AVAILABLE, CONSULT FACTORY

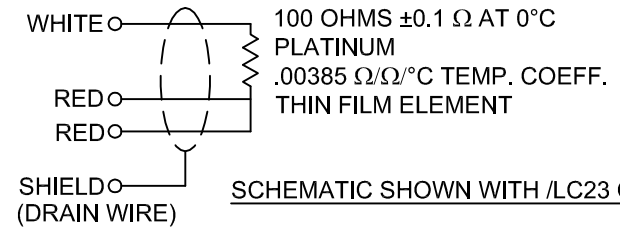
'LY' CABLE LENGTH, 120.0 INCHES STANDARD

/LY072	72.0 INCHES ±6.0" (6 FEET)
/LY240	240.0 INCHES ±12.0" (20 FEET)
/LY ___	SPECIFY LEADWIRE LENGTH IN INCHES



LEAD WIRE CONFIGURATION, TEFLON INSULATED CABLE STANDARD

/LC23	SHIELDED CABLE (KAPTON FOIL SHIELD W/DRAIN WIRE)
-------	--

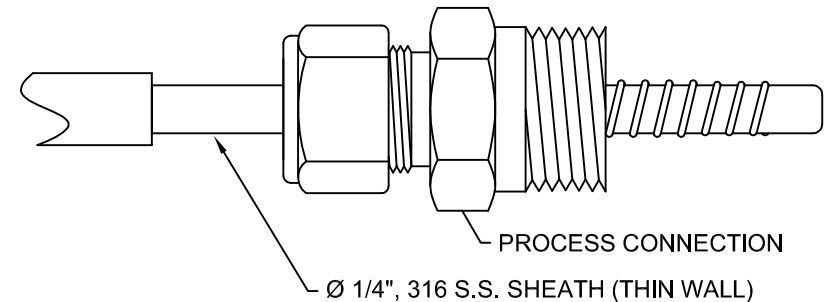


SCHEMATIC SHOWN WITH /LC23 OPTION

COMPRESSION FITTING, NOT INCLUDED, STANDARD

/FC0335	1/2" NPT, SPRING LOADED COMPRESSION FITTING
---------	---

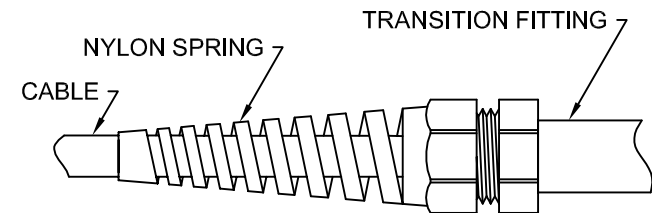
COMPRESSION FITTING OPTION FC0335 SHOWN BELOW



STRAIN RELIEF, POLYOLEFIN STANDARD

/FS01	NYLON SPRING (-40°C TO 120°C)
-------	--------------------------------

STRAIN RELIEF OPTION FS01 SHOWN BELOW



BURNS
ENGINEERING

SHEET 2
OF 2

SIZE
A

DRAWING NUMBER
18944-

REV
B