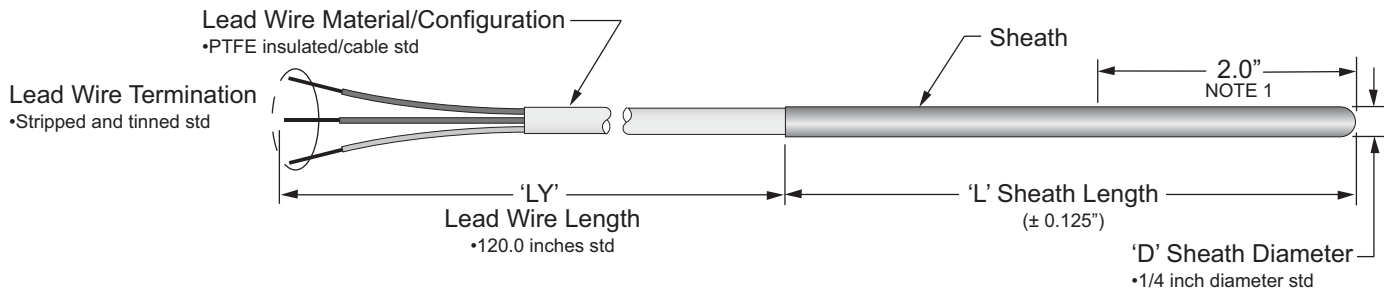


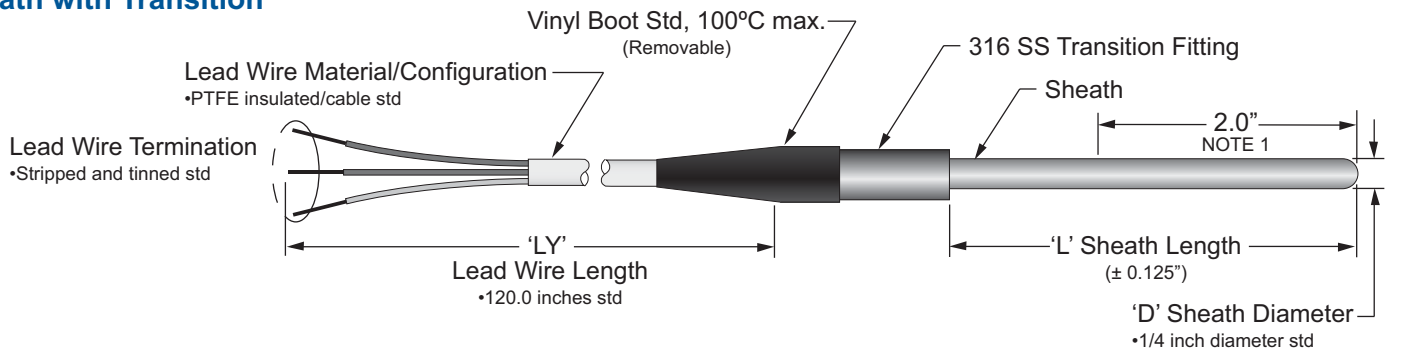
'D', 'G', and 'P' Style Capsule Sensors

Specifications

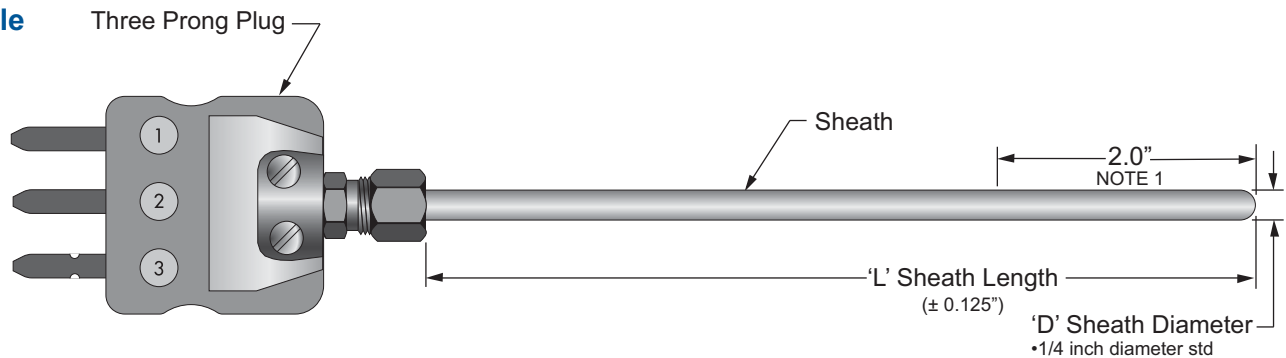
'D' Style Straight Sheath (only available in Series 300)



'G' Style Sheath with Transition



'P' Style Plug Style



'D' Style Application

Straight sheath available on series 300 only. Allows pass through in tight locations.

'G' Style Application

Addition of the transition fitting improves moisture resistance. Recommended where humidity is high.

'P' Style Application

Quick disconnect plug allows use with multiple readouts and portable equipment.

NOTE 1: 1st 2.0 inches of Series 200 or 300 sensors Do Not Bend

'D', 'G', and 'P' Style Capsule Sensors

Ordering Information

200	Burns Series 200
300	Burns Series 300

Sensor Style

D	Plain Sheath with One Diameter for Entire Sheath Length ('D' Style not available with Series 200)
G	Capsule Style with Transition Fitting
P	Plug Style

RTD Accuracy

10	Standard RTD +/- 0.10% of resistance at 0 degrees C	316 SS
05	Precision RTD +/- 0.05% of resistance at 0 degrees C (not currently available with the Series 300 model)	316 SS

RTD Element Lead Configuration

A	Three Wire Single
B	True Four Wire Single
C	Three Wire Dual (not currently available with Series 200 'P' Style)

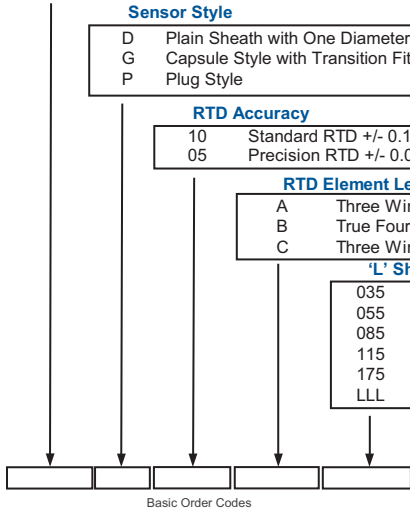
'L' Sheath Length (See NOTE 1)

035	3.5 inch (minimum length)
055	5.5 inch
085	8.5 inch
115	11.5 inch
175	17.5 inch
LLL	Specify 'L' Length in inches for 'L' ≤ 99.9" (LLLL for 'L' > 99.9". ex: 150"=1500)

(Leave blank if not required)

Options Transmitter

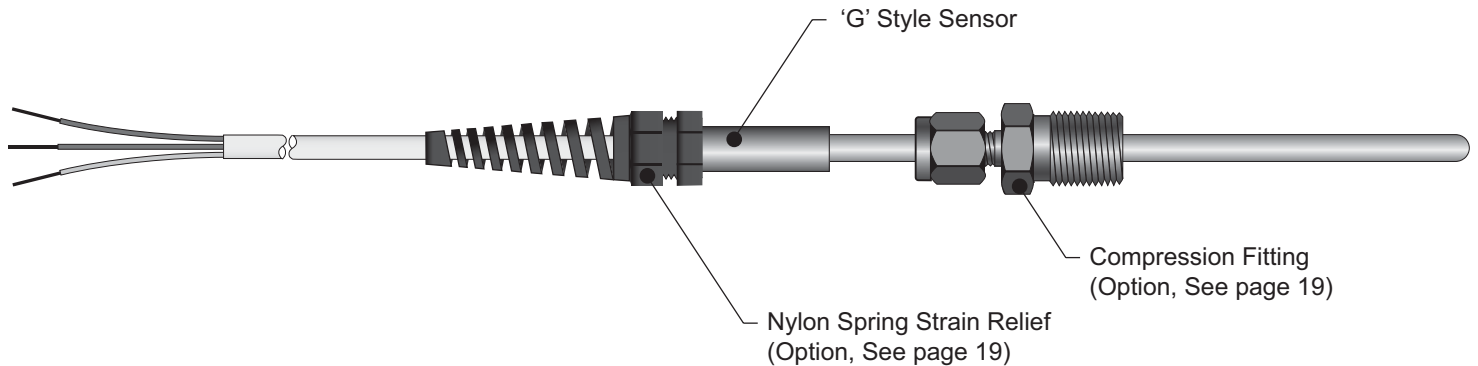
See pages 17-19



FOR REFERENCE:
 RTD Specifications, page 3 and 4
 Common Options, pages 17 – 19



Example Configuration



NOTE 1: For sensor sheath lengths 'X' greater than 200 inches, contact Burns Customer Service.